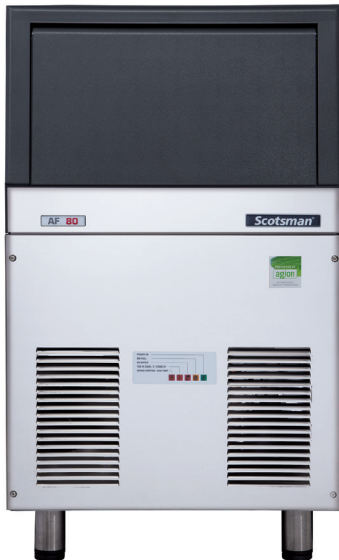
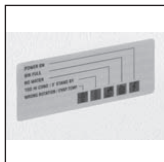


## Self Contained Ice Machine up to 73 kg



Look for this "icon" in order to identify the Scotsman AF units which offer the demineralised or distilled water ice production as an option.



Electronic



### Features

- Up to 73 kg (161 lb) of flake ice production per day
- Up to 25 kg (55 lb) built-in ice storage
- Electronically controlled operation, with self-diagnostic functions with external alarm lights providing operational information for early alert and fast diagnosis of operating issues
- External Components constructed from corrosion-resistant stainless steel crafted for optimal aesthetic appeal through superior fit and finish
- Ergonomically convenient, slanted & disappearing storage bin door
- Front Access for Easier Maintenance
- Front-in, front-out airflow allows for built-in installations
- CFC Free R-134a Refrigerant
- 90 mm (3 1/2") legs included

### AF 80 Technologies



Model	Compressor	10°C: 10°C		21°C: 15°C		Ice Storage [kg] [lb]	Dimensions [WxDxH mm] [WxDxH inches]
		[kg]	[lb]	[kg]	[lb]		
AF 80 AS		70	154	64	141	25 55	535x626x800/889
AF 80 WS		73	161	64	141	25 55	21"x24x31"/35"

[V/Hz/ph]  
 230/50/1

R 134 a

This product qualifies for the following listings:



Certified ISO 9001

### Flake Ice

Residual water content 25%



Ice in its most natural form, made at a temperature just below zero degrees Celsius, with 25% residual water content, making it very moist. Its flake shape makes it extremely versatile and very simple to use effectively.

## 2 Years Warranty

Subject to certain limitations and exclusions

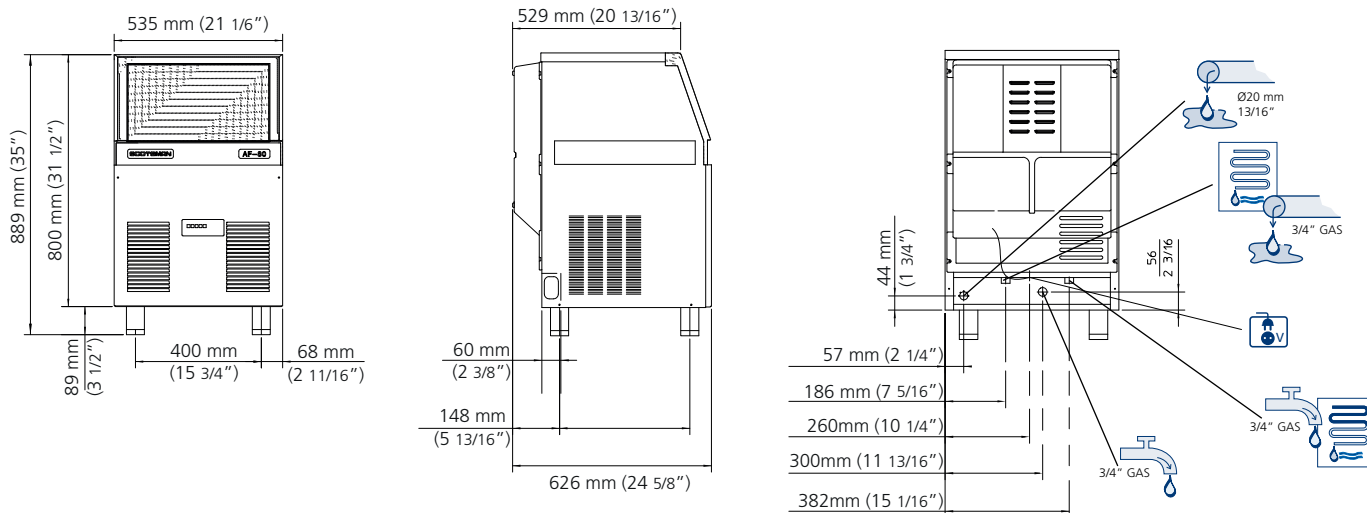
Download our free app **Scotsman Ice**

Available on:  
Apple store  
Google play  
Windows store



[www.scotsman-ice.it](http://www.scotsman-ice.it)  
[www.scotsman-ice.com](http://www.scotsman-ice.com)

## Self Contained Ice Machine up to 73 kg



### AF 80 AIR COOLED

	50°		60°		70°		90°			
	10°	15°	21°	32°	10°	15°	21°	32°		
10°	70	67	64	58	kg	154	147	141	128	lb
21°	67	64	61	55	kg	147	141	134	121	lb
32°	56	54	53	50	kg	123	119	117	110	lb
38°	51	49	48	45	kg	112	108	106	99	lb
100	112	108	106	99	lb					

### AF 80 WATER COOLED

	50°		60°		70°		90°			
	10°	15°	21°	32°	10°	15°	21°	32°		
10°	73	71	69	65	kg	161	156	152	143	lb
21°	66	64	62	58	kg	145	141	136	128	lb
32°	60	58	56	52	kg	132	128	123	114	lb
38°	58	56	54	50	kg	128	123	119	110	lb
100	128	123	119	110	lb					

Minimum	Maximum
10°C (50°F)	43°C (110°F)
5°C (41°F)	38°C (100°F)
-10%	+10%
1 bar 14 psi	5 bar 70 psi

Model	Cooling Type	Capacity [Btu/h] [W]	Ice Size [Ømm <sup>2</sup> ]	Power [W]	FUSE	Energy [kWh] - 100 kg	Water [l/h]	Water [gal/h]	Weight [kg] [lb]
AF 80 AS	Air Cooled	2290 800	3 x 1	330	10	11	2.2	0.6	50 110
AF 80 WS	Water Cooled	2290 800	3 x 1	330	10	10.5	16	4.2	50 110

**IMPORTANT NOTICE:**  
Models and specifications are subject to change without notice.  
This spec sheet is meant for commercial purpose only.  
For technical documentation please refer to our service manuals.

[www.scotsman-ice.it](http://www.scotsman-ice.it)  
[www.scotsman-ice.com](http://www.scotsman-ice.com)