

No. F083-3690

ISSUED: Mar. 29, 2012

REVISED: Dec. 14, 2015



**HOSHIZAKI**  
**SELF-CONTAINED FLAKER**

**MODEL FM-600AKE(-SB)**  
**FM-600AKE-N(-SB)**

(F083, F083-C101, F083-C106,  
F083-C107, F083-C130, F083-C131)

**PARTS LIST**

(HE)

B-1 MAR. 2012  
C-0 JAN. 2013  
D-0 JAN. 2014  
D-1 JAN. 2014  
E-0 JAN. 2015  
E-2 SEP. 2015

## List of Specifications

FM-600AKE	F083	50Hz
	F083-C130	60Hz
FM-600AKE-SB	F083-C101	50Hz, Chasiss : SUS304
FM-600AKE-N	F083-C106	50Hz, Nugget type
	F083-C131	60Hz, Nugget type
FM-600-AKE-N-SB	F083-C107	50Hz, Nugget type, Chasiss : SUS304

## Auxiliary Codes

### Auxiliary Code Breakdown

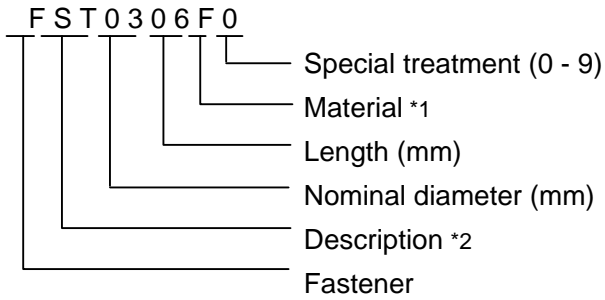
The auxiliary code is the first two characters in the serial number. The first character indicates the year. Years progress or regress in alphabetical order. The series runs from "A" through "V" and the letters "I" and "O" are skipped. The second character indicates significant part changes within a year. Base is "0" and this number advances for each change. In cases where there is a letter in parentheses, this designates the month. This is the last character in the serial number. The series runs from "(A)" through "(M)" and the letter "(I)" is skipped. This designation is only included when identifying a parts change within an auxiliary code.

### Note About Ordering Parts

Most assemblies cannot be ordered as complete units; parts in the assemblies generally must be ordered separately.

# FASTENER PART NUMBER

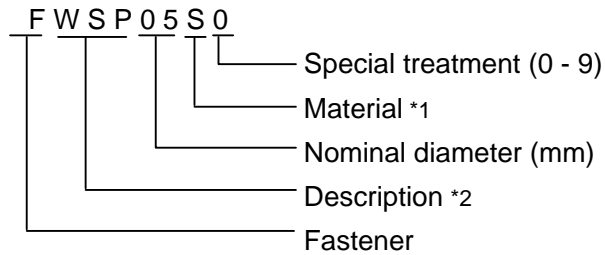
## SCREWS



\*1

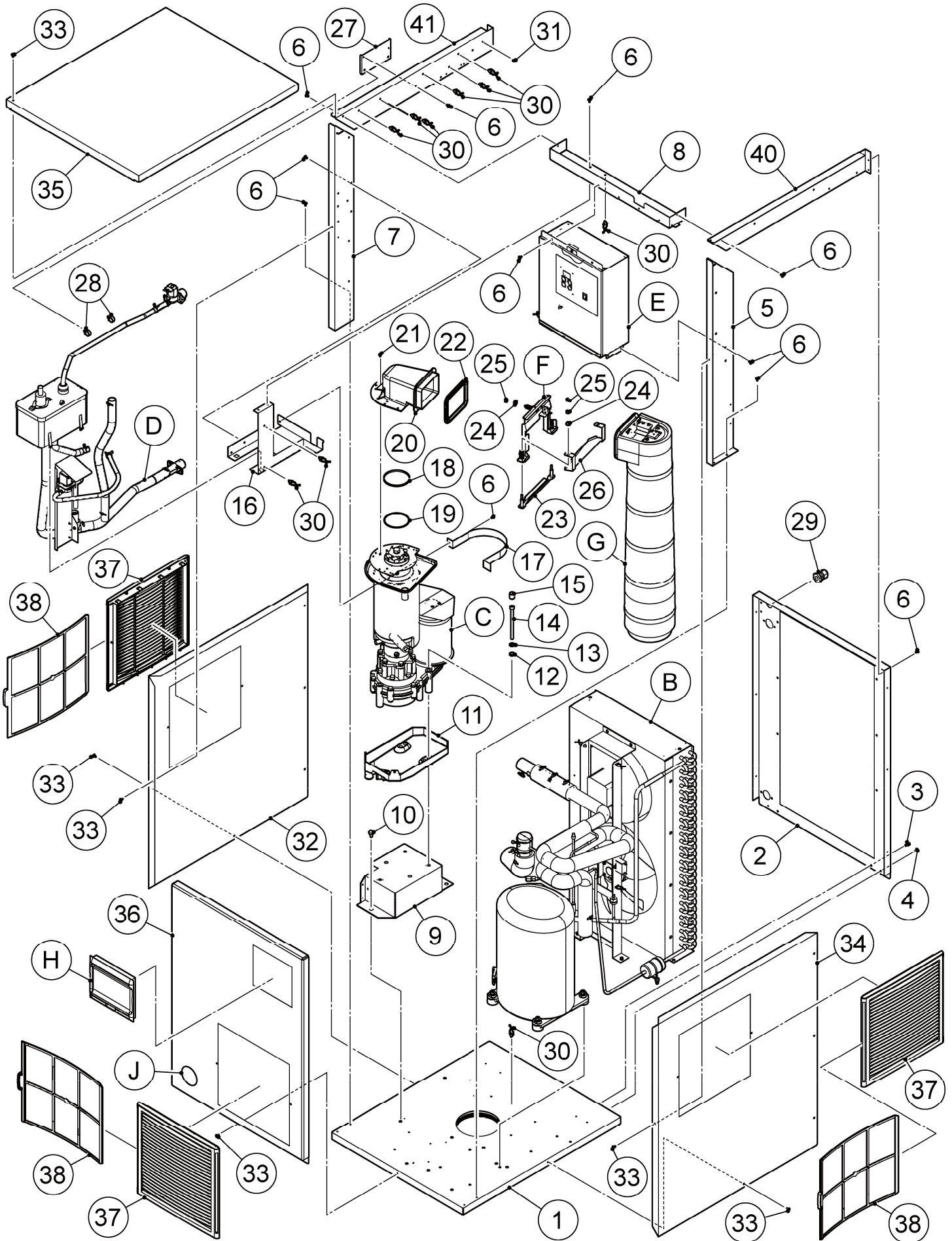
- F: Steel
- S: Austenitic stainless steel
- M: Martensitic stainless steel
- B: Copper alloy
- P: Polycarbonate
- N: Polyamide
- V: PVC
- A: ABS
- X: Polyacetal
- L: Aluminum

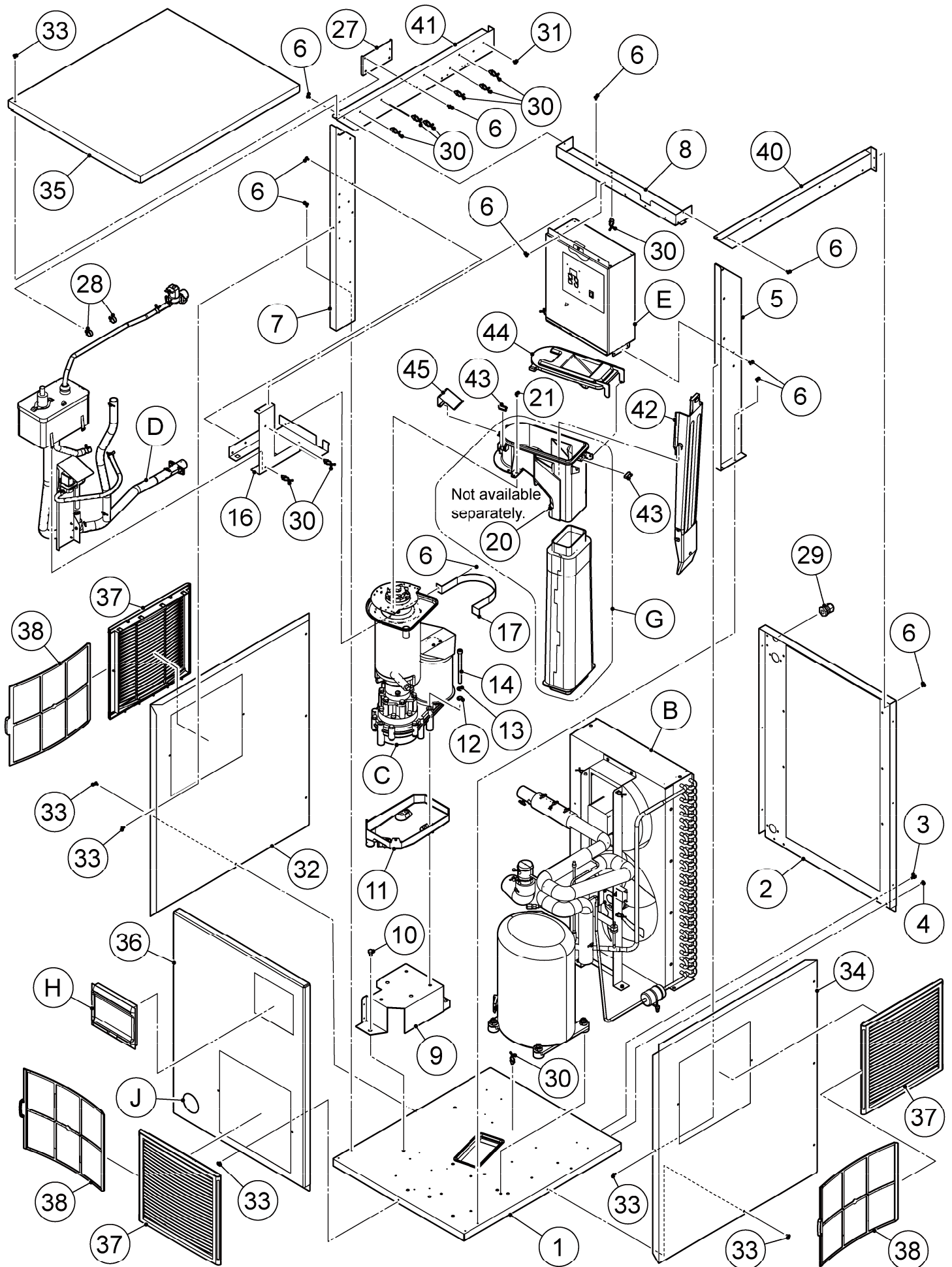
## NUTS & WASHERS

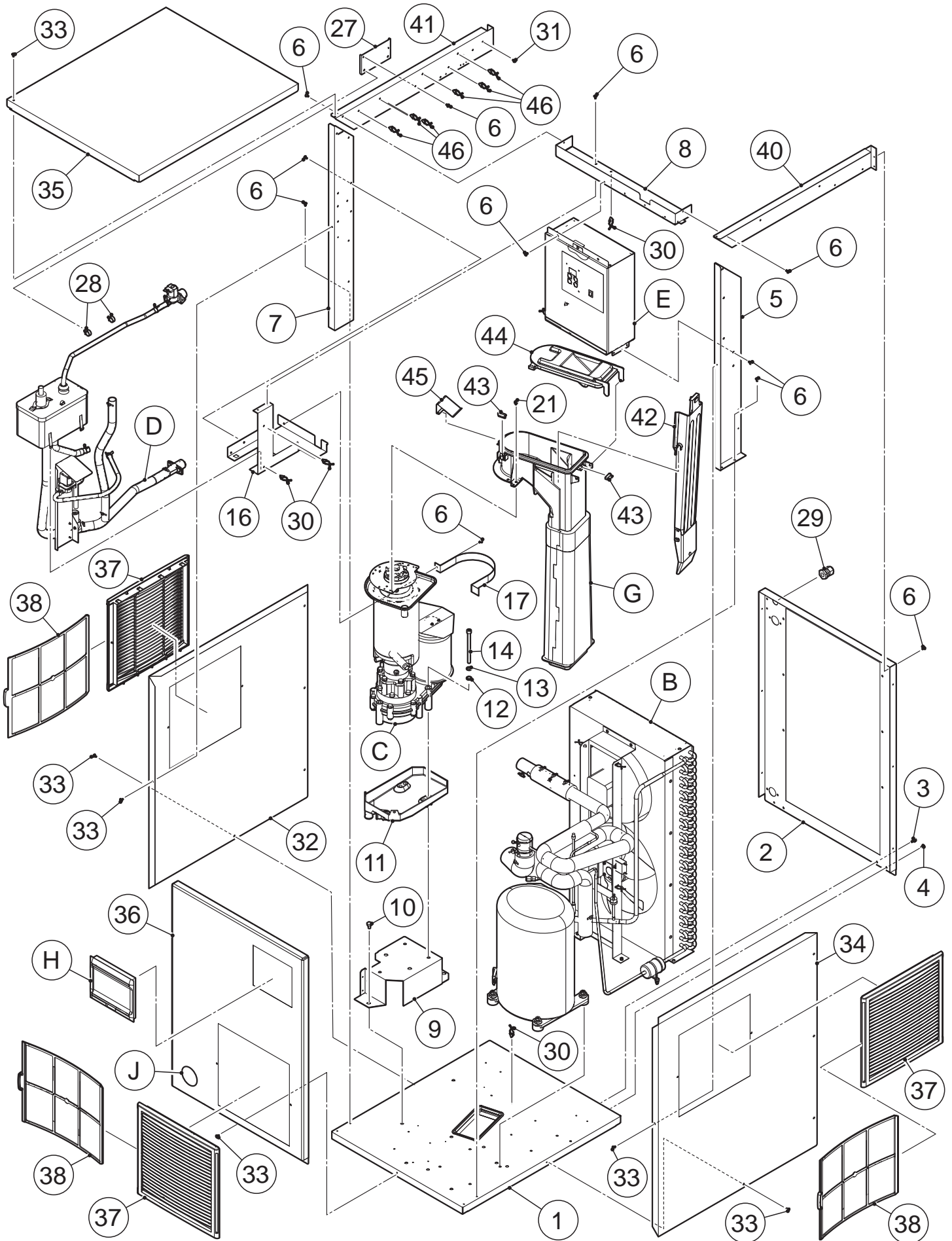


\*2

- First letter
- S: Machine screw
- T: Tapping screw
- M: Wood screw
- B: Bolt
- W: Washer
- N: Nut







HE

MODEL: FM-600AKE(-SB)		TITLE: A. ICE FLAKER ASSY							
FM-600AKE-N(-SB)									
INDEX NO.	DESCRIPTION	MATERIAL OR MODEL NUMBER	PART NUMBER	REQ'D NUMBER					
				B-1 D-0	D-1 E-1	E-2			
B	REFRIGERATION CIRCUIT		121786A01	1	-	-			
			122474A01	-	1	1			
		60Hz F083-C130, F083-C131	121786001	1	-	-			
			122474001	-	1	1			
C	ICE MAKING UNIT		261985A02	1	-	-			
			264097A02	-	1	1			
		NUGGET F083-C106, F083-C131	261985A05	1	-	-			
			264097A09	-	1	1			
		NUGGET, SUS304 F083-C107		-	1	1			
D	WATER CIRCUIT		121788A01	1	-	-			
			122466A01	-	4	4			
E	CONTROL BOX ASSY		263281A01	1	1	1			
			F083-C130, F083-C131	263281001	1	1	1		
F	BAND ASSY		S-9165	1	-	-			
G	CHUTE ASSY		113006A01	1	-	-			
			Integrated with 20.SPOUT - 70 Not available separately. Order G.SPOUT ASSY - CHUTE 70 (268065A02)	-	1	-			
	SPOUT ASSY - CHUTE 70		268065A02	-	-	1			
H	WINDW PANEL ASSY		348243A03	1	1	1			
J	LABEL LOCATION		262003A01	1	1	1			
			F083-C106	262003A02	1	1	1		
			F083-C130	262003001	1	1	1		
			F083-C131	262003002	1	1	1		
L	ACCESSORIES		A02215-01	1	1	1			
1	CHASSIS		261981G01	1	-	-			
			264143G01	-	1	1			
		SUS304 F083-C101, F083-C107	266084G01	-	1	1			
2	REAR PANEL		121785M01	1	1	1			
3	HEX HEAD BOLT (SPRING WASHER AND FLAT WASHER)		FBK0512S0	2	2	2			
4	T2 TRUSS HEAD SCREW		FT20408F0	2	2	2			

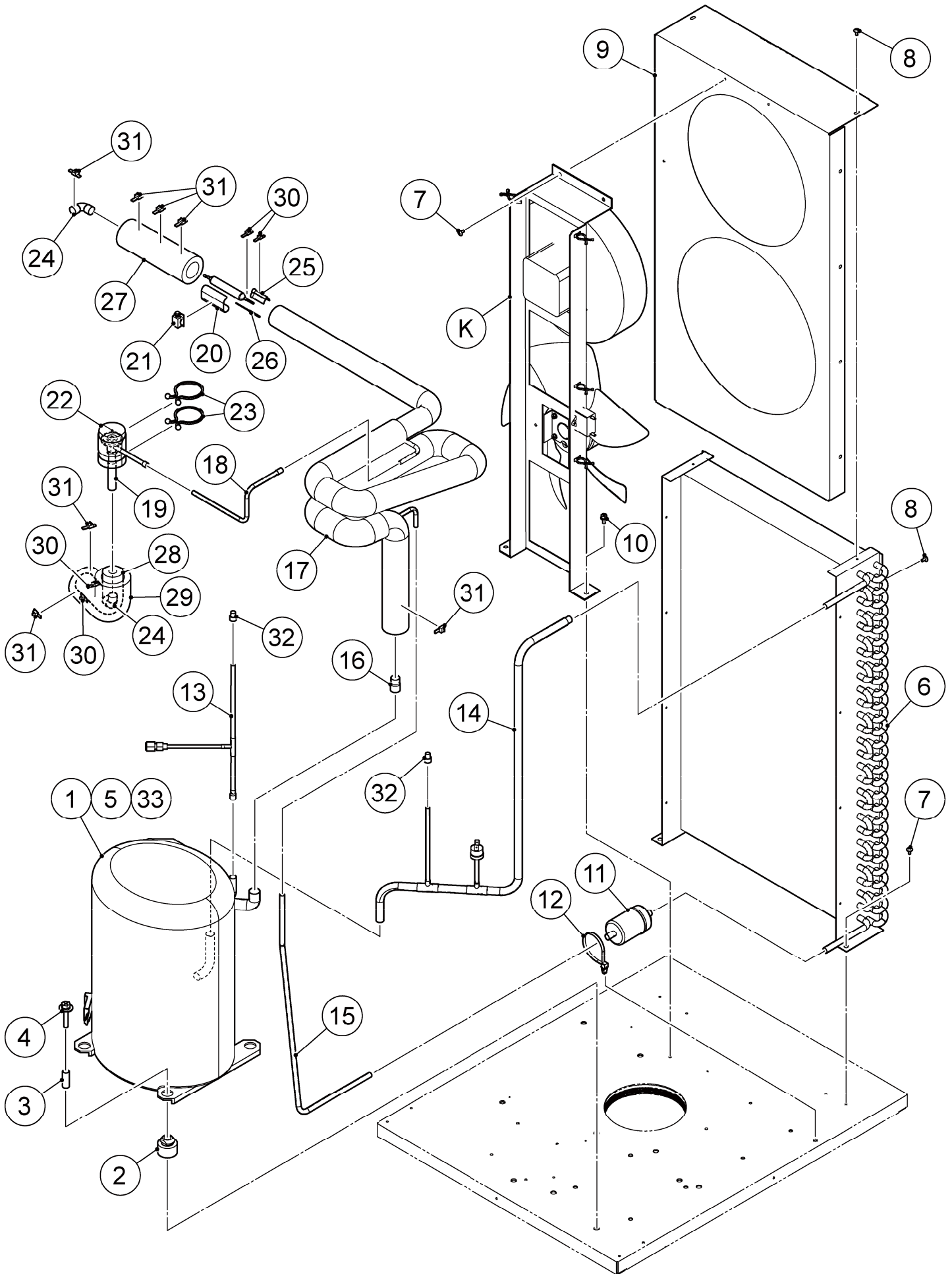
HE

MODEL: FM-600AKE(-SB)		TITLE: A. ICE FLAKER ASSY						
FM-600AKE-N(-SB)								
INDEX NO.	DESCRIPTION	MATERIAL OR MODEL NUMBER	PART NUMBER	REQ'D NUMBER				
				B-1 D-0	D-1 E-1	E-2		
5	SIDE FRAME (R1)		264212M01	1	2	2		
6	TRUSS HEAD SCREW		FST0408F0	23	24	24		
7	SIDE FRAME (L1)		264214M01	1	2	2		
8	FRONT FRAME		261984M01	1	2	2		
9	BRACKET - GEAR MOTOR		373520G01	1	-	-		
			374371G01	-	1	1		
10	HEX HEAD BOLT		FBH0812S0	3	3	3		
11	DRAIN PAN		261640P01	1	1	1		
12	SEAL WASHER		458299-01	3	3	3		
13	SPRING WASHER		FWSP08S0	3	3	3		
14	HEXAGON SOCKET HEAD CAP SCREW		461285-01	3	3	3		
15	VINYL CAP		451272-01	3	-	-		
16	BRACKET-RESERVOIR		261986M01	1	-	-		
			264139M01	-	1	1		
17	BAND		475195M01	1	1	1		
18	RING		432661-02	1	-	-		
19	O - RING		7616-G070	1	-	-		
20	SPOUT		104797-01	1	-	-		
	SPOUT - 70	Integrated with CHUTE Not available separately. Order SPOUT - CHUTE 70 (268064G02)		-	1	-		
21	HEX HEAD BOLT (SPRING WASHER AND FLAT WASHER)		FBK0408S0	3	3	3		
22	PACKING		454256-01	1	-	-		
23	BAND (B)		459995G01	1	-	-		
24	FLANGE NUT		FNHF06S0	3	-	-		
25	NUT		FNH106F0	5	-	-		
26	DRIP GUIDE		350725-01	1	-	-		
27	BRACKET-WATER SUPPLY		476650M01	1	1	1		
28	CLAMP		428644-03	2	2	2		
29	POWER SUPPLY CORD		466418-01	1	1	1		
30	CLAMP		427902-03	10	10	4		
31	PAN HEAD SCREW SW		FSK0408S0	1	1	1		
32	SIDE PANEL (L)		263237M01	1	1	1		
33	TRUSS HEAD SCREW		FST0408S0	12	12	12		



HE

MODEL: <b>FM-600AKE(-SB)</b>				TITLE: <b>A. ICE FLAKER ASSY</b>				
FM-600AKE-N(-SB)								
INDEX NO.	DESCRIPTION	MATERIAL OR MODEL NUMBER	PART NUMBER	REQ'D NUMBER				
				B-1 D-0	D-1 E-1	E-2		
34	SIDE PANEL (R)		263238M01	1	1	1		
35	TOP PANEL		261991M01	1	1	1		
36	FRONT PANEL (A)		122243G01	1	1	1		
37	LOUVER		121931P01	3	3	3		
38	AIR FILTER		262259G01	3	3	3		
39	PERFECT LOCK		466342-01	1	1	1		
40	SIDE FRAME (R2)		264213M01	1	1	1		
41	SIDE FRAME (L2)		264215M01	1	1	1		
42	ACTUATOR		382184G02	-	1	1		
		F083-C106, F083-C107 F083-C131	382184G01	-	1	1		
43	REED SWITCH		P02940-01	-	2	2		
44	SPOUT COVER - 70		263887G01	-	1	1		
45	SPRING - SPOUT		478013M01	-	1	1		
46	CLAMP		427902-02	-	-	6		

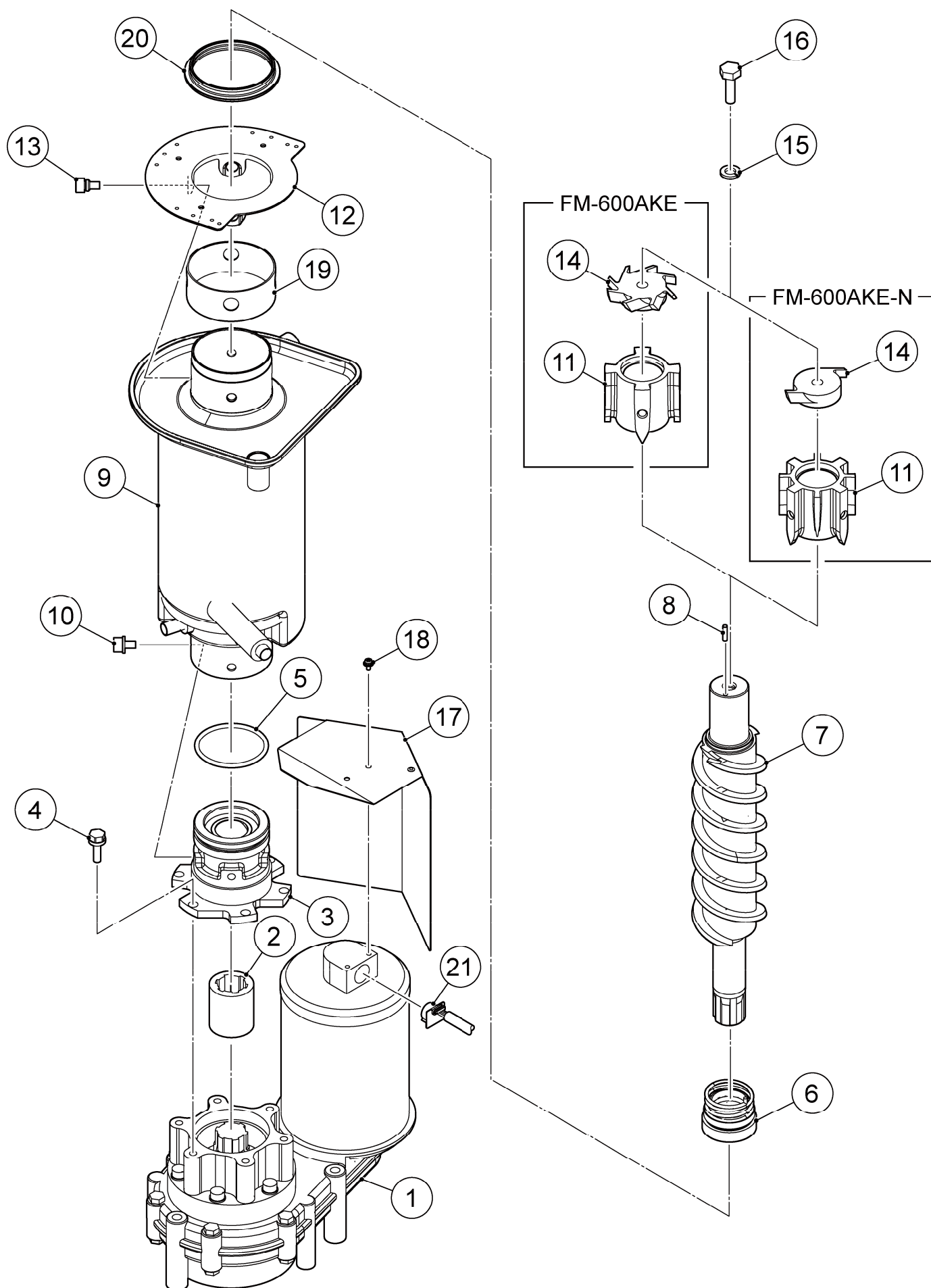


HE

MODEL: FM-600AKE(-SB)		TITLE: B. REFRIGERATION CIRCUIT						
FM-600AKE-N(-SB)								
INDEX NO.	DESCRIPTION	MATERIAL OR MODEL NUMBER	PART NUMBER	REQ'D NUMBER				
				B-1 D-0	D-1 E-1	E-2		
K	FAN MOTOR ASSY		262065A01	1	1	1		
1	COMPRESSOR		P02588-01	1	1	1		
		F083-C130, F083-C131	4A4890-01	1	1	1		
2	GROMMET		434922-02	4	4	4		
3	SPACER		434921-01	4	4	4		
4	BOLT		436206-04	4	4	4		
5	CRANKCASE HEATER		4A5397-01	1	1	1		
6	CONDENSER - AIR COOLED		P03407-01	1	1	1		
7	TRUSS HEAD SCREW		FST0408F0	4	4	4		
8	T2 TRUSS HEAD SCREW		FT20408F0	16	16	16		
9	SHROUD		121787M01	1	1	1		
10	HEX HEAD BOLT (SPRING WASHER AND FLAT WASHER)		FBK0512S0	2	2	2		
11	DRIER		462965-01	1	1	1		
12	TIE		436156-02	1	1	1		
13	COPPER TUBE-ACCESS VALVE		466222G01	1	1	1		
14	COPPER TUBE(A) - H		261987G01	1	1	1		
15	COPPER TUBE(B) - L		376325M01	1	1	1		
16	REDUCER		420915-04	1	1	1		
17	HEAT EXCHANGER		376326G01	1	-	-		
			377792G01	-	1	1		
18	COPPER TUBE(D) - H		476649M01	1	-	-		
			478102M01	-	1	1		
19	EXPANSION VALVE		453868-01	1	1	1		
20	HOLDER - EXP. VALVE 1/2		3A0112-01	1	1	1		
21	CLAMP		443461-01	1	1	1		
22	VALVE COVER		3Y3196P01	1	1	1		
23	CLAMP		P00752-01	2	2	2		
24	ELBOW		417395-03	2	2	2		
25	HOLDER - THERMISTOR		427430-01	1	1	1		
26	THERMISTOR ASSY		475407G01	1	1	1		
27	INSULATION TUBE		H72949B15	1	1	1		
28	INSULATION TUBE		H71333B35	1	1	1		

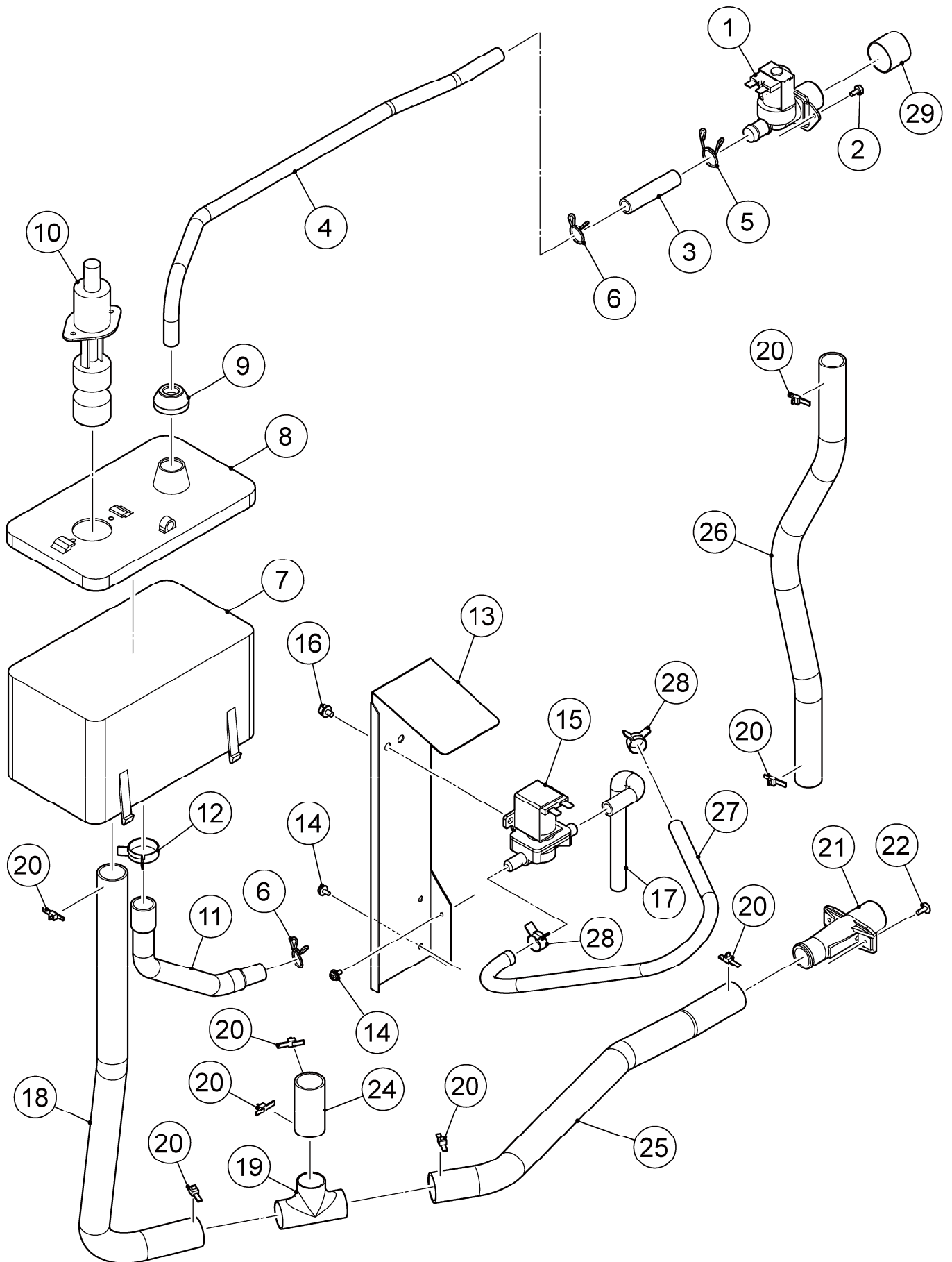
HE

MODEL: <b>FM-600AKE(-SB)</b>		TITLE: <b>B. REFRIGERATION CIRCUIT</b>						
FM-600AKE-N(-SB)								
INDEX NO.	DESCRIPTION	MATERIAL OR MODEL NUMBER	PART NUMBER	REQ'D NUMBER				
				B-1 D-0	D-1 E-1	E-2		
29	INSULATION TUBE		H73858B28	1	1	1		
30	TIE	CV-150	7920-0003	4	4	4		
31	NYLON TIE	CV-200	7920-0010	7	7	7		
32	LOCKRING STOPPER		P01677-01	2	2	2		
33	NEOBELT PC		446470-01	1	1	1		



HE

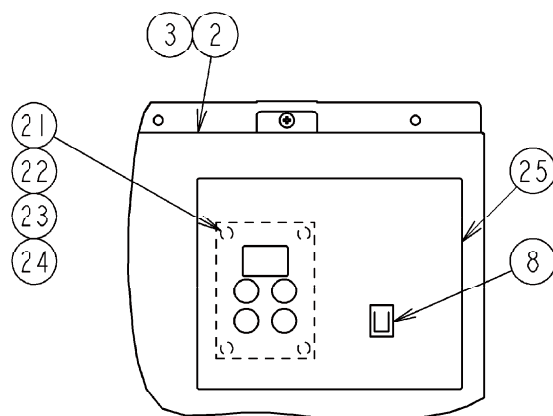
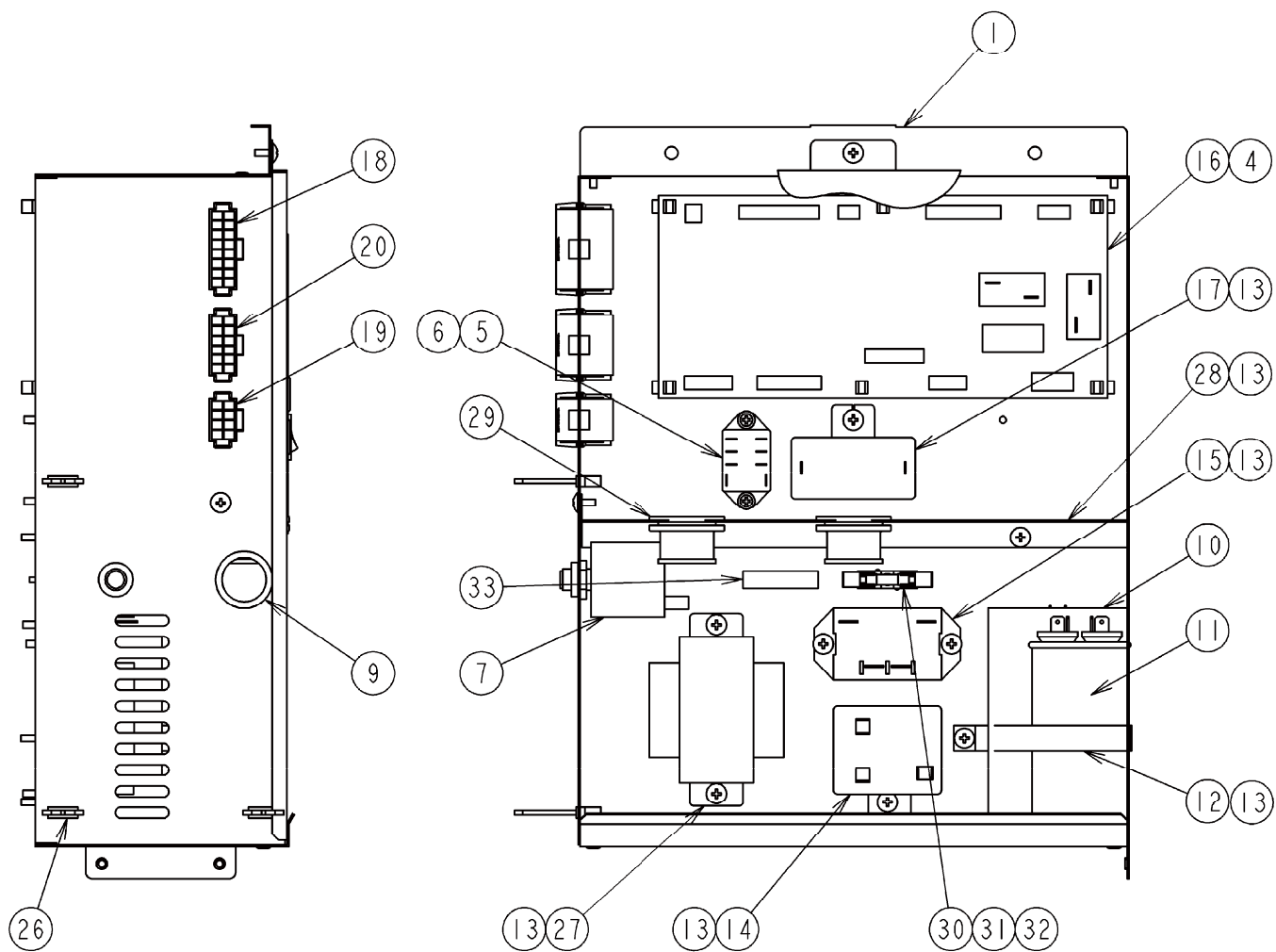
MODEL: FM-600AKE(-SB)		TITLE: C. ICE MAKING UNIT						
FM-600AKE-N(-SB)								
INDEX NO.	DESCRIPTION	MATERIAL OR MODEL NUMBER	PART NUMBER	REQ'D NUMBER				
				B-1 D-0	D-1 E-1	E-2		
1	GEAR MOTOR		466223-01	1	1	1		
2	COUPLING		414137-01	1	1	1		
3	BEARING (LOWER)		206657G02	1	1	1		
4	HEX.HEAD BOLT W/WASHER (SW)		461888-01	6	6	6		
5	O - RING		7616-G065	1	1	1		
6	MECHANICAL SEAL		432492-01	1	1	1		
7	AUGER		120863G02	1	1	1		
8	PIN		713S-0416	1	1	1		
9	EVAPORATOR		258997G01	1	1	1		
10	SCREW		P01719-01	4	4	4		
11	EXTRUDING HEAD-70F		327097G03	1	1	1		
	EXTRUDING HEAD-70N	F083-C106, F083-C107 F083-C131	216531G03	1	1	1		
12	FLANGE - 70		476246G02	1	-	-		
			372207M01	-	1	1		
13	SEAL BOLT - M8		P01768-01	4	4	4		
14	CUTTER	F083-C106, F083-C107 F083-C131	317071-02	1	1	1		
			327145-01	1	1	1		
15	SPRING WASHER		FWSP10S0	1	1	1		
16	SCREW - BOLT		458101-01	1	1	1		
17	COVER - GEAR MOTOR		475224G01	1	1	1		
18	PAN HEAD SCREW SW		FSK0408S0	2	2	2		
19	BELT HEATER	F083-C106, F083-C107 F083-C131	P03243-01	1	1	1		
20	PACKING - SPOUT		473494R01	-	1	1		
21	ROTATION SENSOR	GEAR MOTOR ACCESSORY	459861-03	1	1	1		



HE

MODEL: FM-600AKE(-SB)		TITLE: D. WATER CIRCUIT						
FM-600AKE-N(-SB)								
INDEX NO.	DESCRIPTION	MATERIAL OR MODEL NUMBER	PART NUMBER	REQ'D NUMBER				
				B-1 D-0	D-1 E-1	E-2		
1	WATER VALVE		452993-01	1	1	1		
2	HEX HEAD BOLT		FBH0408S0	2	2	2		
3	SILICONE HOSE		4Y6912R06	1	1	1		
4	PIPE - WATER SUPPLY		376329M01	1	1	1		
5	HOSE CLAMP		435934-03	1	1	1		
6	HOSE CLAMP		435934-02	2	2	2		
7	RESERVOIR		232626-01	1	1	1		
8	COVER - RESERVOIR		232627-01	1	1	1		
9	COVER - RESERVOIR INLET		415094-01	1	1	1		
10	FLOAT SWITCH		458279-01	1	1	1		
11	HOSE		372321R01	1	1	1		
12	CLIP BAND		423866-08	1	1	1		
13	BRACKET - VALVE		373530M01	1	1	1		
14	PAN HEAD MACHINE SCREW (SPRING WASHER AND FLAT		FSK0408F0	3	3	3		
15	WATER VALVE		468655-01	1	1	1		
16	HEX HEAD BOLT (SPRING WASHER AND FLAT WASHER)		FBK0508F0	2	2	2		
17	DRAIN HOSE (B)		459329-01	1	1	1		
18	PVC Hose - FSA		HD2226520	1	-	-		
			HD2226500	-	1	1		
19	TEE		120228M01	1	1	1		
20	TIE		7920-0003	8	8	8		
21	DRAIN PIPE		321035-01	1	1	1		
22	TRUSS HEAD TAPPING SCREW T2		FT20410S0	2	2	2		
24	PVC Hose - FSA		HD2226050	1	-	-		
			HD2226045	-	1	1		
25	PVC Hose - FSA		HD2226400	1	1	1		
26	PVC Hose (Food Grade)		HD1923460	1	1	1		
27	PVC Hose - FSA		HD0912450	1	1	1		
28	CLAMP		423866-03	2	2	2		
29	CAP		417323-01	1	1	1		



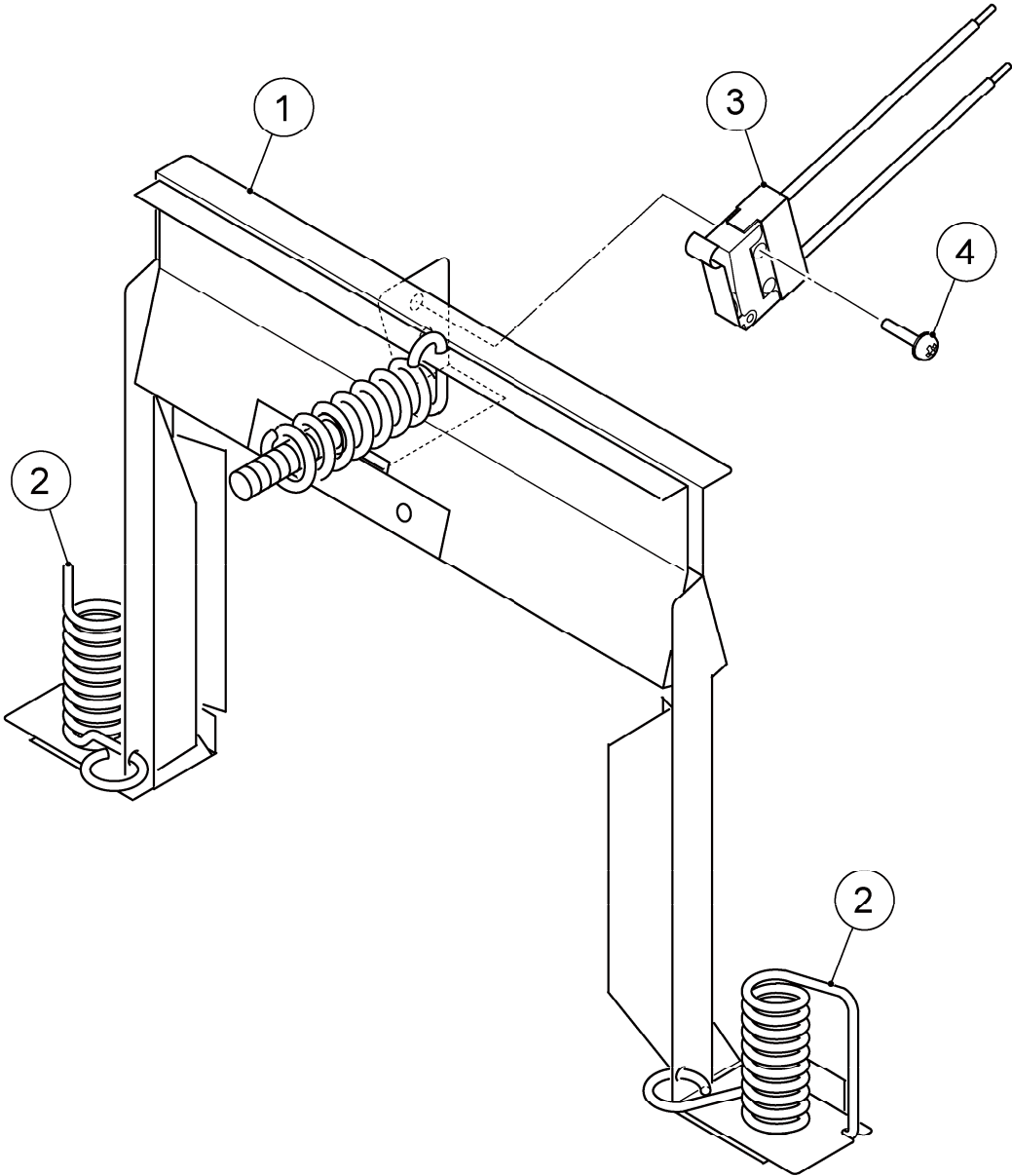


HE

MODEL: FM-600AKE(-SB)		TITLE: E. CONTROL BOX ASSY						
FM-600AKE-N(-SB)								
INDEX NO.	DESCRIPTION	MATERIAL OR MODEL NUMBER	PART NUMBER	REQ'D NUMBER				
				B-1 D-0	D-1 E-1	E-2		
1	CONTROL BOX		122174G01	1	1	1		
2	COVER - CONTROL BOX		376330G01	1	1	1		
3	TRUSS HEAD SCREW	4x8	FST0408F0	1	1	1		
4	BOARD SUPPORT	KGLS-6S	414929-01	6	6	6		
5	RELAY	LY2F AC240V	406132-08	1	1	1		
6	T2(S) FLANGED PAN HEAD SCREW	3x8	431415-01	2	2	2		
7	PROTECTOR	W58-XB1A41-25	425201-03	1	1	1		
8	ROCKER SWITCH		460681-01	1	1	1		
9	BUSHING	OCB-1000	428394-05	1	1	1		
10	CAPACITOR - STARTING	091A216B330DE8R	3A0076-18	1	1	1		
		F083-C130, F083-C131	3A0076-12	1	1	1		
11	CAPACITOR	40MFD 370V	3A2005-13	1	1	1		
12	STRAP		434174-02	1	1	1		
13	T2 TRUSS HEAD SCREW	4x8	FT20408F0	9	9	9		
14	STARTER	3AR33CT24S5	4A1107-13	1	1	1		
		F083-C130, F083-C131	4A1107-09	1	1	1		
15	POWER RELAY	67L-1A-TUB	P00034-01	1	1	1		
16	CONTROLLER BOARD - 09CM		P01372-99	1	1	1		
17	CAPACITOR	CMPS45B605UWC	459704-01	1	1	1		
18	HARNESS (A)		376352G01	1	1	1		
19	HARNESS (B)		473845G01	1	1	1		
20	HARNESS (C)		374366G01	1	1	1		
21	SPACER	4EP-9	451658-05	4	4	4		
22	OPERATION BOARD - 09CM		P01373-01	1	1	1		
23	FLAT WASHER		FWPL03P0	4	4	4		
24	NUT		FNH103F0	4	4	4		
25	CONTROL LABEL		374148L01	1	1	1		
26	WIRE RETAINER	No.249	427902-03	3	3	3		
27	TRANSFORMER	TH6632-220/230/240	P02623-01	1	1	1		
28	SEPARATOR/BOX		377045M01	1	1	1		
29	GROMMET		4H2568-01	2	2	2		
30	FUSE HOLDER	CFH15	4Y2547-01	1	1	1		
31	FUSE	2183.15 250VAC 3.15A	451924-02	1	1	1		
32	PAN HEAD TAPPING SCREW T2	3x8	FT50308F0	1	1	1		

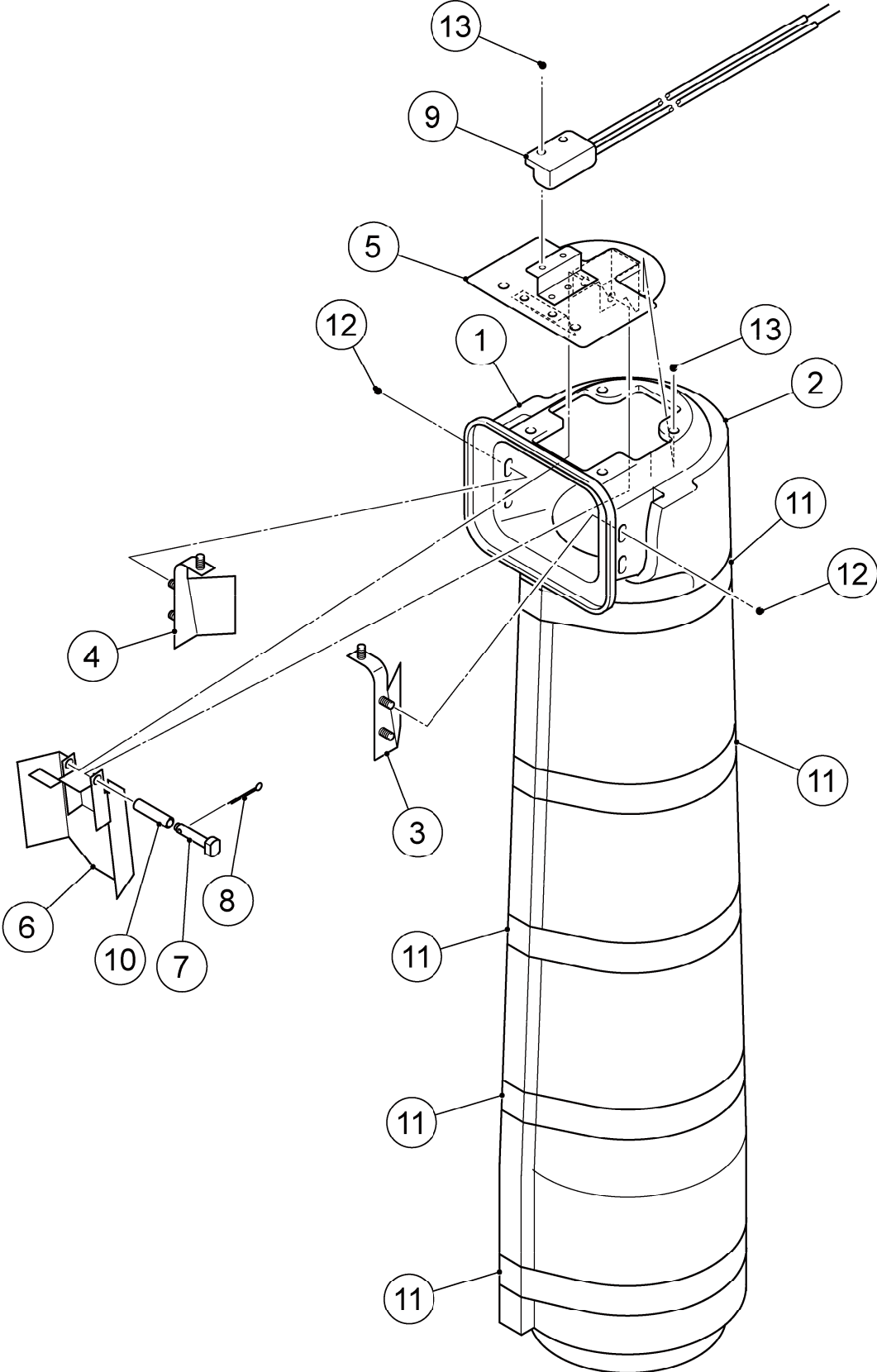
HE

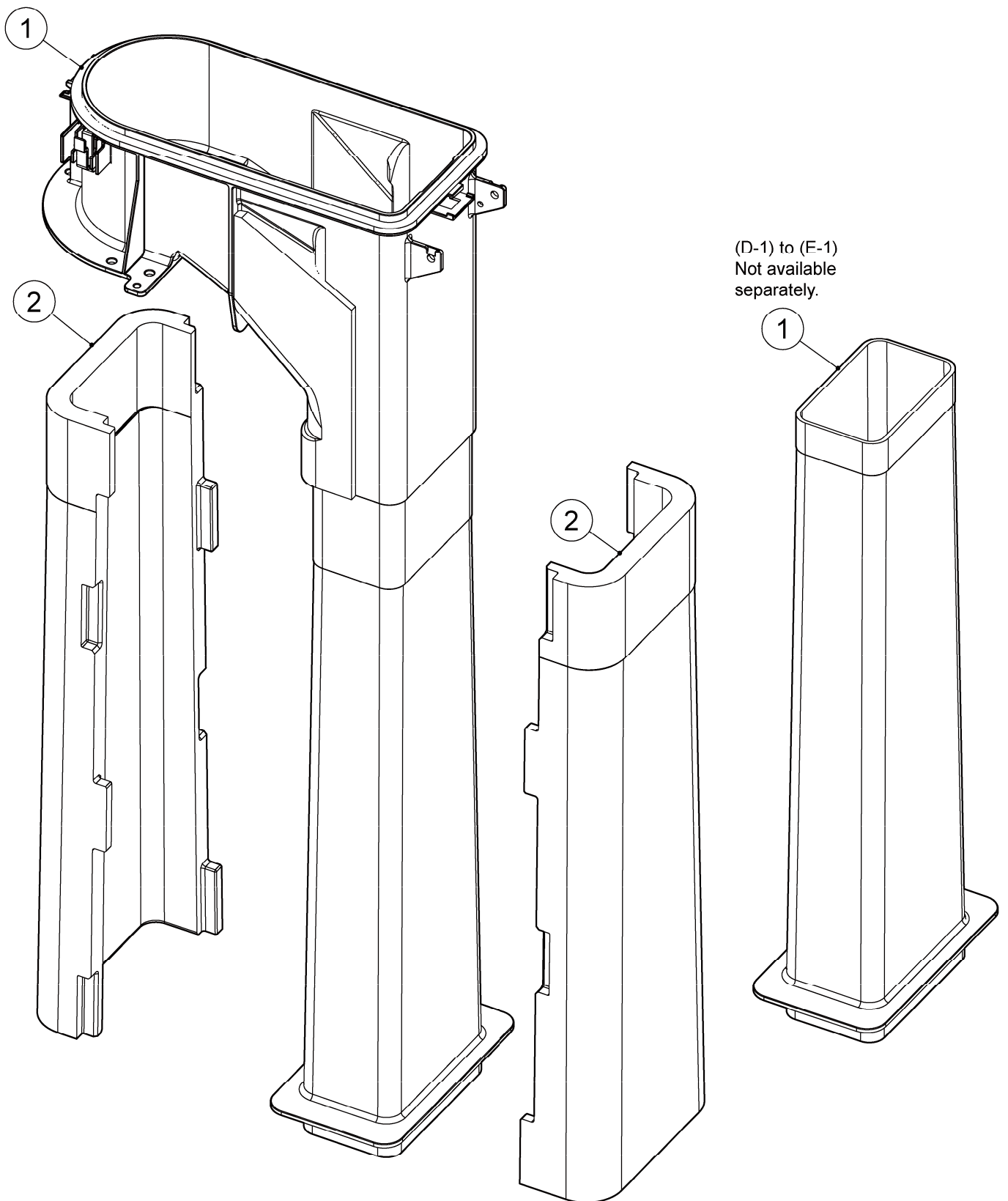
MODEL: <b>FM-600AKE(-SB)</b>		TITLE: <b>E. CONTROL BOX ASSY</b>						
FM-600AKE-N(-SB)								
INDEX NO.	DESCRIPTION	MATERIAL OR MODEL NUMBER	PART NUMBER	REQ'D NUMBER				
				B-1 D-0	D-1 E-1	E-2		
33	LABEL - FUSE		477494L01	1	1	1		



HE

MODEL: FM-600AKE, FM-600AKI		TITLE: F. BAND ASSY						
INDEX NO.	DESCRIPTION	MATERIAL OR MODEL NUMBER	PART NUMBER	REQ'D NUMBER				
				B-1				
1	BAND (A)		348305G01	1				
2	SPRING (A)		459997-01	2				
3	MICROSWITCH		443992-02	1				
4	PAN HEAD MACHINE SCREW (SPRING WASHER AND FLAT		470416-01	2				

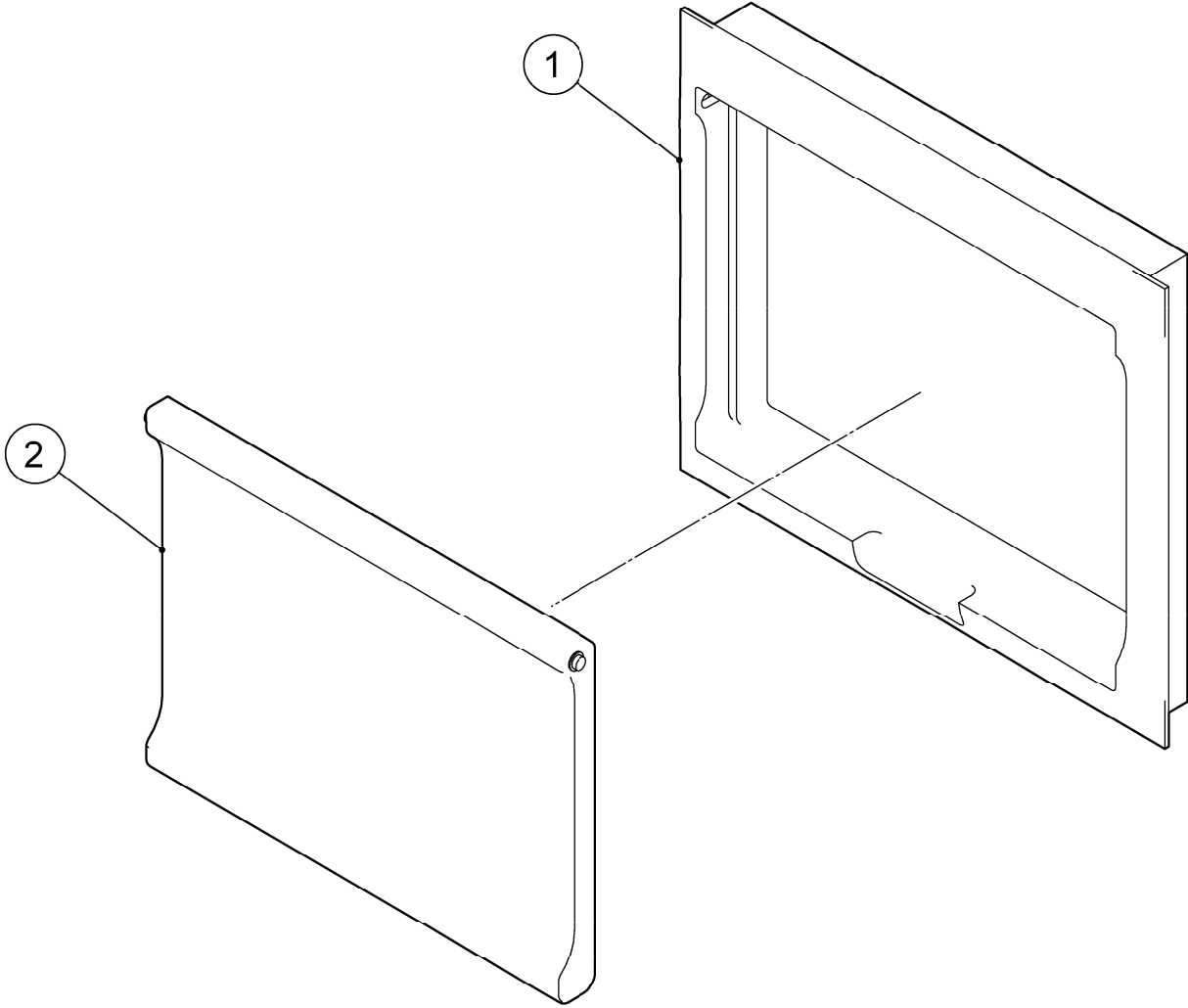




HE

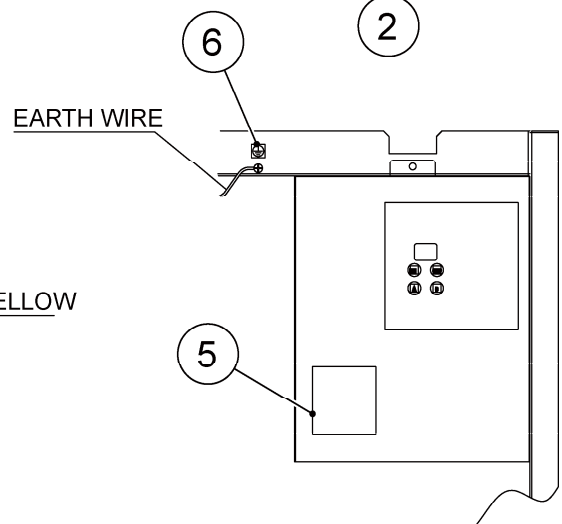
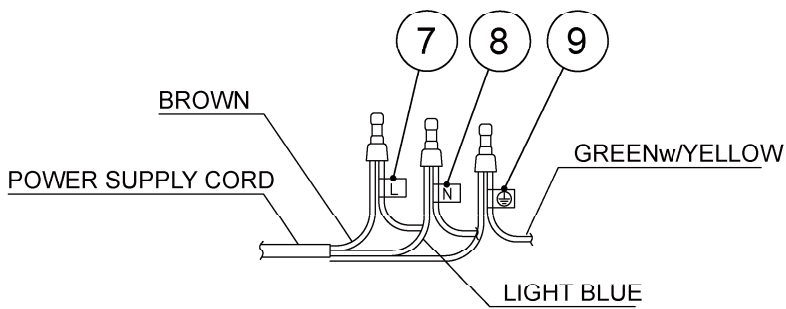
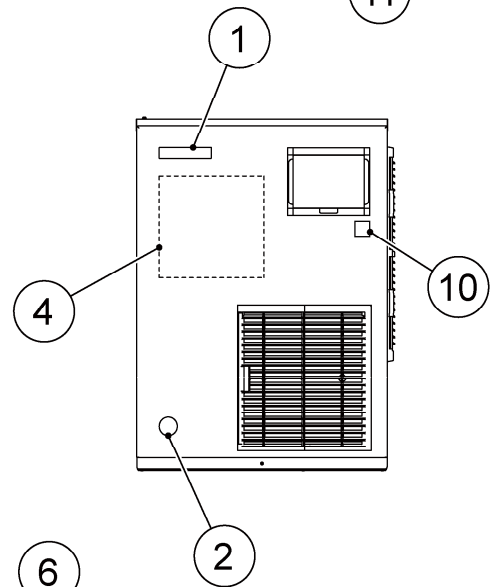
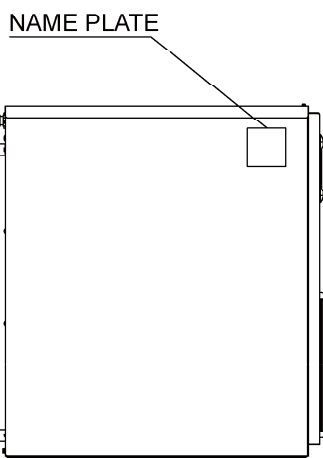
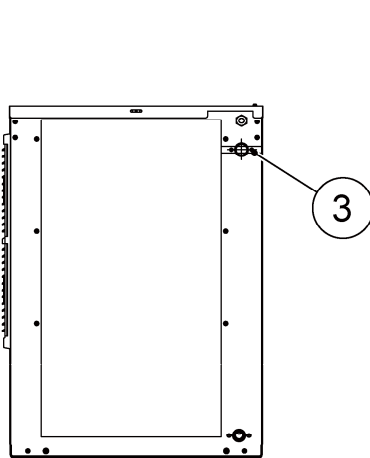
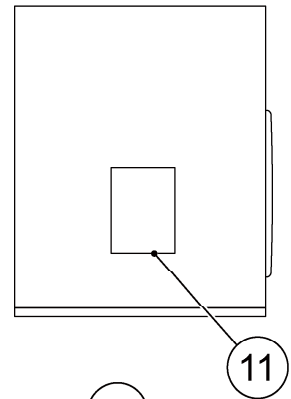
MODEL: <b>FM-600AKE(-SB)</b>		TITLE: <b>G. CHUTE ASSY</b>						
FM-600AKE-N(-SB)								
INDEX NO.	DESCRIPTION	MATERIAL OR MODEL NUMBER	PART NUMBER	REQ'D NUMBER				
				B-1 D-0	D-1 E-1	E-2		
1	CHUTE		214823-01	1	-	-		
		Integrated with SPOUT - 70 Not available separately. Order SPOUT - CHUTE 70 (268064G02)		-	1	-		
	SPOUT - CHUTE 70		268064G02	-	-	1		
2	INSULATION - CHUTE		235310-01	1	-	-		
			263903P02	-	2	2		
3	BAFFLE - CHUTE (A)		325122G01	1	-	-		
4	BAFFLE - CHUTE (B)		325123G01	1	-	-		
5	BIN CONTROL		353918G01	1	-	-		
6	ACTUATOR		436848G05	1	-	-		
7	SHAFT		458813-01	1	-	-		
8	SPLIT PIN		711SP1612	1	-	-		
9	PROXIMITY SWITCH		4A2033-01	1	-	-		
10	TUBE		461623-01	1	-	-		
11	TAPE		113006Z01	5	-	-		
12	WING NUT		FNW204S0	6	-	-		
13	TRUSS HEAD SCREW		FST0406S0	4	-	-		





HE

MODEL: <b>FM-600AKE(-SB)</b>		TITLE: <b>H. WINDW PANEL ASSY</b>						
FM-600AKE-N(-SB)								
INDEX NO.	DESCRIPTION	MATERIAL OR MODEL NUMBER	PART NUMBER	REQ'D NUMBER				
				B-1 D-0	D-1 E-1	E-2		
1	WIND FRAME		232648-01	1	1	1		
2	WIND PANEL		232649-03	1	1	1		



DETAIL - CONTROL BOX  
DETAIL LABEL-GROUND

DETAIL LABEL - TERMINAL

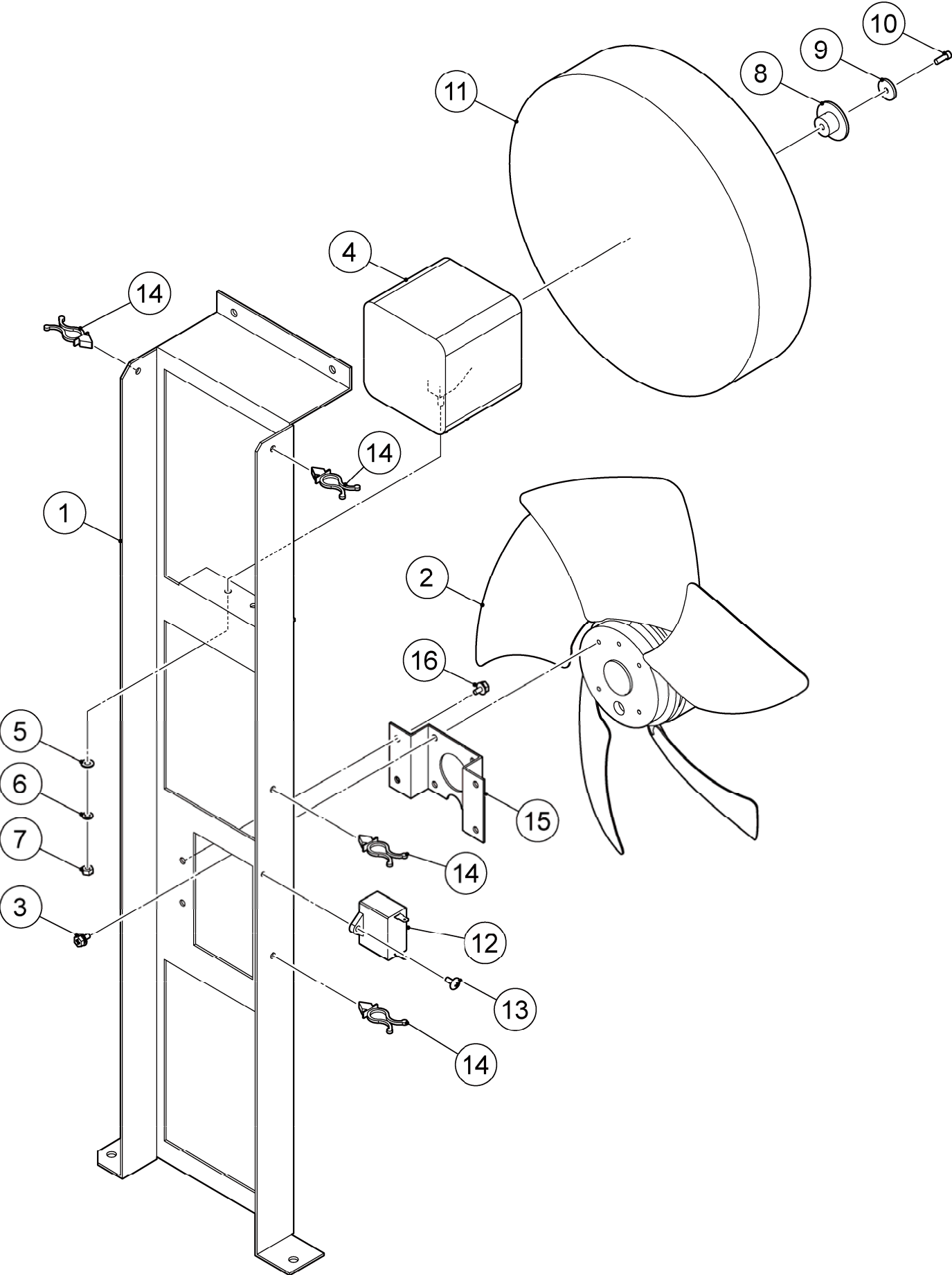
HE

MODEL: <b>FM-600AKE(-SB)</b>		TITLE: <b>J. LABEL LOCATION</b>						
FM-600AKE-N(-SB)								
INDEX NO.	DESCRIPTION	MATERIAL OR MODEL NUMBER	PART NUMBER	REQ'D NUMBER				
				B-1 D-0	D-1 E-1	E-2		
1	EMBLEM		340842-01	1	1	1		
2	LABEL - PENGUIN		454387-01	1	1	1		
3	CAUTION - LABEL		452552-01	1	1	1		
4	WIRING LABEL		262004L0	1	-	-		
			264595L01	-	1	1		
5	CAUTION LABEL - SERVICE		471180L01	1	1	1		
6	LABEL - EARTH (B)		450452-02	1	1	1		
7	LABEL - TERMINAL		452379-03	1	1	1		
8	LABEL - TERMINAL		452379-04	1	1	1		
9	LABEL - TERMINAL		452379-05	1	1	1		
10	LABEL - HACCP		476519L01	1	1	1		

FM-600AKE(-SB)  
FM-600AKE-N(-SB)

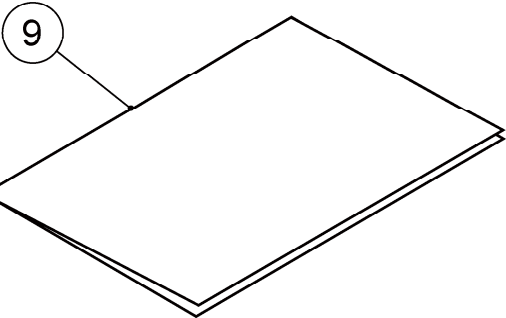
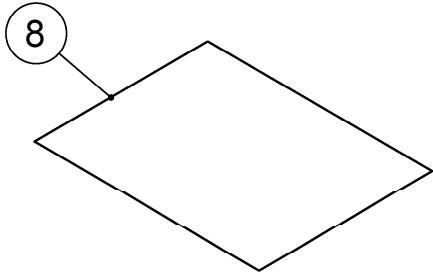
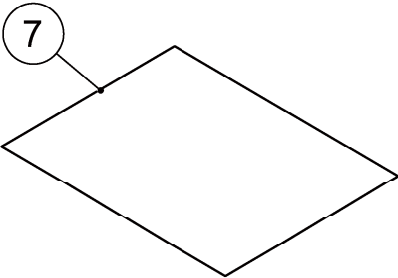
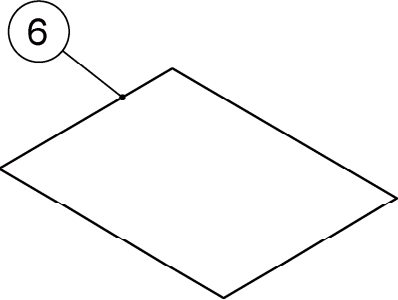
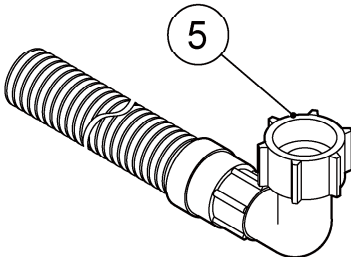
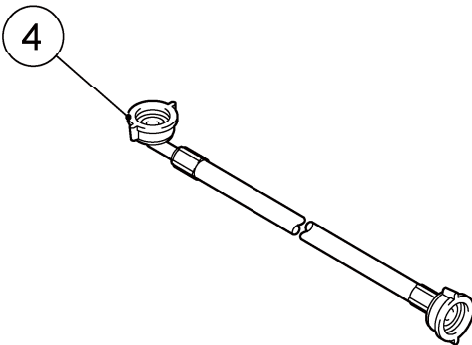
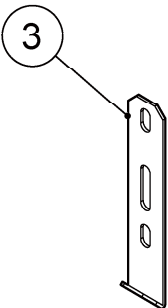
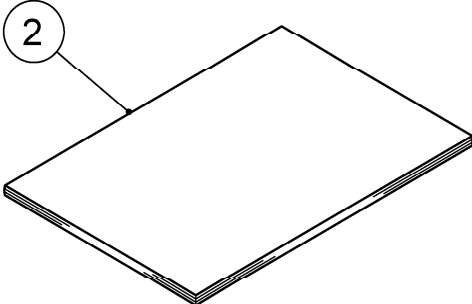
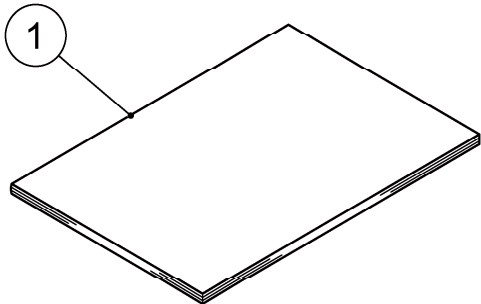
K. FAN MOTOR ASSY

(B-1) and later



HE

MODEL: FM-600AKE(-SB)		TITLE: K. FAN MOTOR ASSY						
FM-600AKE-N(-SB)								
INDEX NO.	DESCRIPTION	MATERIAL OR MODEL NUMBER	PART NUMBER	REQ'D NUMBER				
				B-1 D-0	D-1 E-1	E-2		
1	BRACKET(A) - FAN MOTOR		262066M01	1	1	1		
2	FAN MOTOR		P02394-01	1	1	1		
3	HEX HEAD BOLT (SPRING WASHER AND FLAT WASHER)		FBK0408S0	4	4	4		
4	FAN MOTOR		P02528-01	1	1	1		
5	FLAT WASHER		FWPL04S0	4	4	4		
6	SPRING WASHER		FWSP04S0	4	4	4		
7	NUT		FNH104S0	4	4	4		
8	VIBRATION PAD		P02528F01	1	1	1		
9	WASHER/PAD		P02528F02	1	1	1		
10	BOLT		P02528F03	1	1	1		
11	FAN BLADE		P02529-01	1	1	1		
12	CAPACITOR		P01865-01	1	1	1		
13	TRUSS HEAD SCREW		FST0408F0	1	1	1		
14	WIRE RETAINER	No.249	427902-03	4	4	4		
15	BRACKET (B) - FAN MOTOR		476680M01	1	1	1		
16	HEX HEAD BOLT (SPRING WASHER AND FLAT WASHER)		FBK0408S0	4	4	4		



HE

MODEL: <b>FM-600AKE(-SB)</b>		TITLE: <b>L. ACCESSORIES</b>						
FM-600AKE-N(-SB)								
INDEX NO.	DESCRIPTION	MATERIAL OR MODEL NUMBER	PART NUMBER	REQ'D NUMBER				
				B-1 D-0	D-1 E-1	E-2		
1	INSTRUCTION MANUAL		L1F054203	1	1	1		
2	INSTALLATION MANUAL		L2F054201	1	-	-		
			L2F054203	-	1	1		
3	UNIVERSAL BRACE		4A0363-01	2	2	2		
4	INLET HOSE		P03534-01	1	1	1		
5	OUTLET HOSE		452365-01	1	1	1		
6	POLYETHYLENE BAG (300*450)		7V90-0015	1	1	1		
7	PE STANDARD BAG		7V90-0012	1	1	1		
8	PE BAG (STANDARD)		7V90-0020	1	1	1		
9	INSTRUCTION MANUAL		122234L01	1	1	1		